

# Product datasheet

## Heatmiser neoAir V3

**Continal**  
UNDERFLOOR HEATING

The neoAir V3 Smart Thermostat is ideal for those looking for a totally wire-free app-controllable solution for their heating and hot water.

The neoAir V3 Smart Thermostat is compatible with the UH8-RF v2/RF Switch V2, as well as the neoHub.



### Technical:

- Installed dimensions: 86mm x 86mm x 26mm
- Weight: 250g
- IP rating: IP30
- Communication protocol: Zigbee 2.4GHz

### Electrical data:

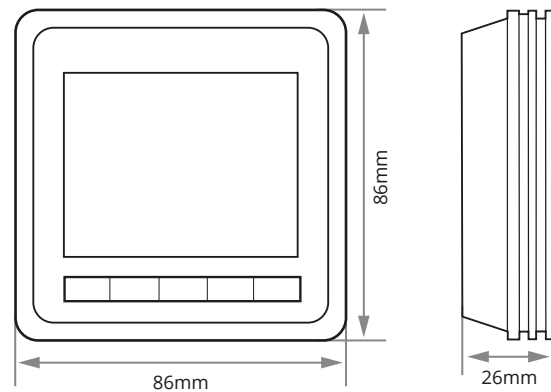
- Power supply: 4 x AAA Batteries

### Temperature:

- Temperature range: 5°C to 35°C
- Accuracy:  $\pm 0.5^{\circ}\text{C}$

### Features:

- Easy install and operation
- Large display with function buttons on the front
- App-controlled using the NeoHub
- Floor and air temperature sensor
- Mesh networking
- Heat and hot water control
- Voice control using Alexa / Google Home, Apple HomeKit and IFTTT
- Push notifications from the app
- 2-year warranty



### About us

No ifs, no buts. The award-winning Continal® service means you get an underfloor heating system delivered to you on time, on site, every time, no compromise.