

The Heatmiser neoStat WiFi is a 230V programmable thermostat featuring illuminated touch keys and WiFi connection. The neoStat WiFi can be configured to work as a programmable thermostat or as a timer. If you want to take control of anything from your towel rails, to your lighting, neoStat WiFi offers you this and more.

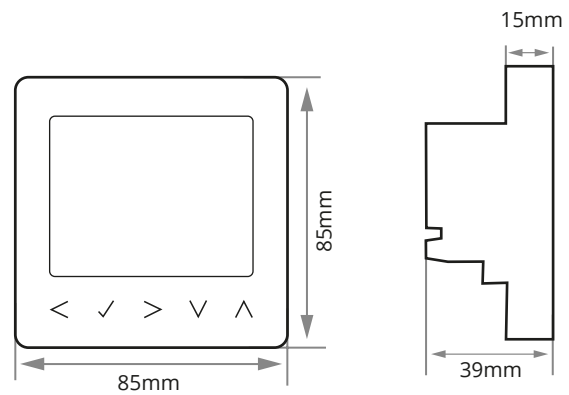
When connected to your home broadband router, you can control your heating from anywhere - no Hub required.

Unlimited number of neoStat WiFi can be paired to the neoApp, offering smart control of your entire home.



Features:

- Easy install and operation
- App-controlled
- Floor and air temperature sensor
- Voice control using Alexa, Google Home, Apple HomeKit and IFTTT
- 5 / 2 day programming mode
- 2-year warranty



Technical:

- Installed dimensions: 85mm x 85mm x 15mm
- Weight: 136g
- IP rating: IP20

Electrical data:

- Power supply: 230V AC 50/60Hz
- Rating: 3A



About us

No ifs, no buts. The award-winning Continal® service means you get an underfloor heating system delivered to you on time, on site, every time, no compromise.